

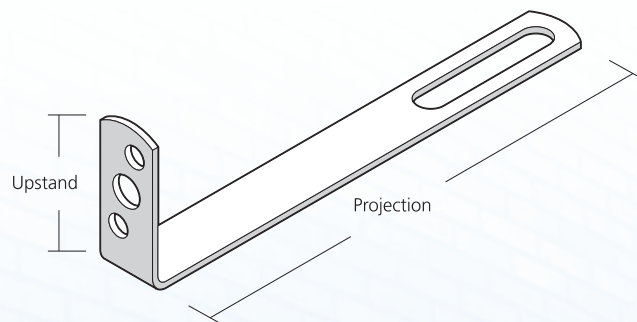
Restraint and Movement Fixings

Restraint Fixings

Frame Cramps

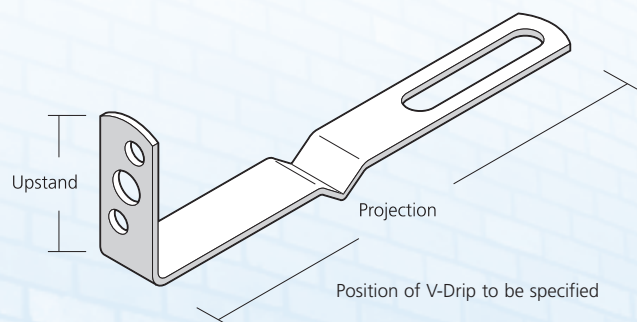
This Product is designed to restrain non structural elements such as Door Frames and Window Frames to masonry. Three holes in the upstand for screwfix, bolting or shotfiring and safety end detail for embedment. Available in Stainless Steel and Galvanised Steel.

TTFC



Standard Sizes
100mm Projection
125mm Projection
150mm Projection
175mm Projection
200mm Projection

TTFCV

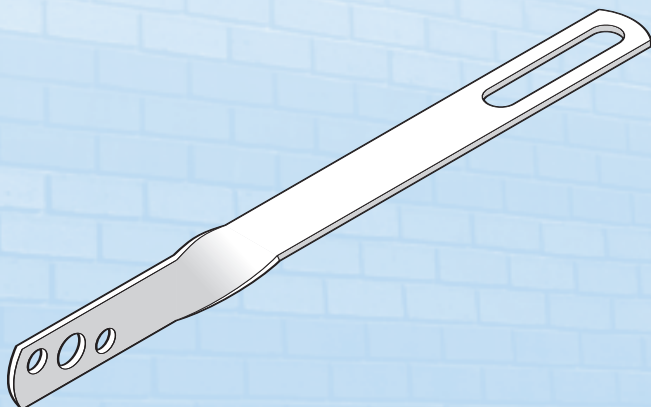


Standard Sizes
125mm Projection
150mm Projection
175mm Projection
200mm Projection

Clasp Ties

This product is designed to restrain masonry to vertical structures. Three holes for screw fire, bolting or shotfiring and safety end detail for embedment. Available in Stainless or Galvanised Steel.

TTCT



Standard Sizes
150mm
200mm
225mm
250mm

Special sizes can be manufactured to order

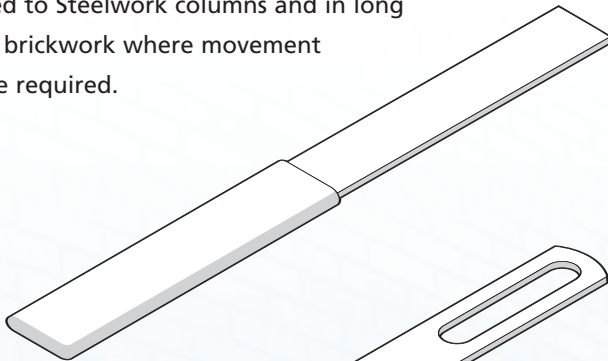
Restraint and Movement Fixings

Movement Fixings

These products are designed to provide restraint in one direction and movement to allow for horizontal expansion and contraction. The Debonding Sleeve is located over the embedment detail to allow the tie to move.

Typical usages are in areas where masonry is restrained to Steelwork columns and in long spans of brickwork where movement joints are required.

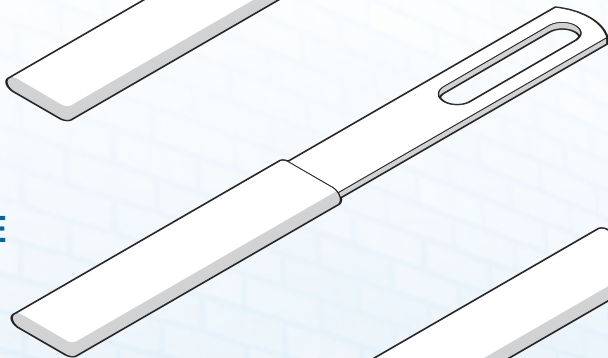
TTB



Standard Sizes

200mm
225mm
250mm

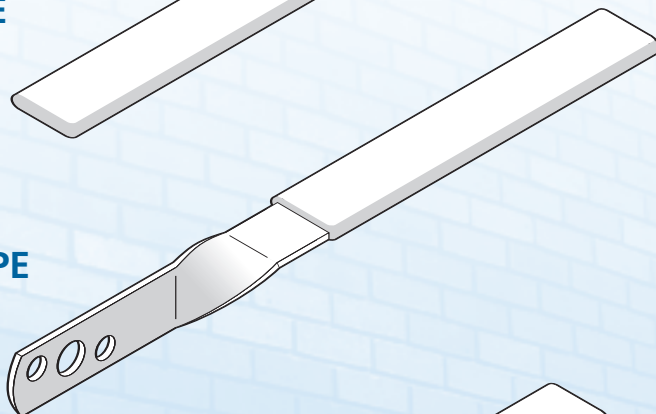
TTSPE



Standard Sizes

200mm
225mm
250mm

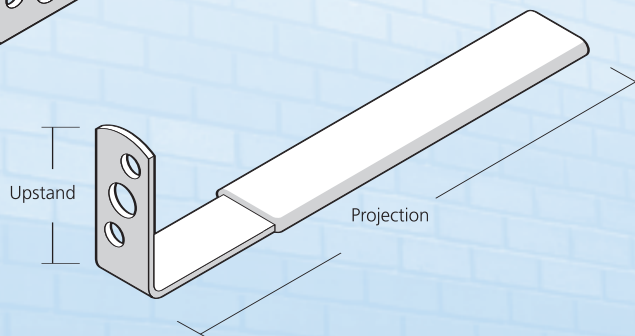
TTCTPE



Standard Sizes

200mm
225mm
250mm

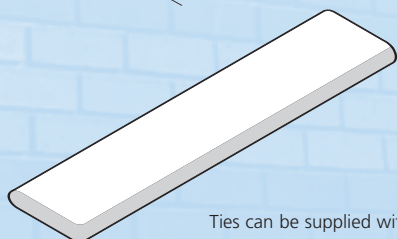
TTPB



Standard Sizes

100mm Projection
125mm Projection
150mm Projection
175mm Projection
200mm Projection

TTDS



Ties can be supplied with or without sleeve

Debonding sleeve

100mm x 20mm
150mm x 20mm

Special sizes can be manufactured to order