

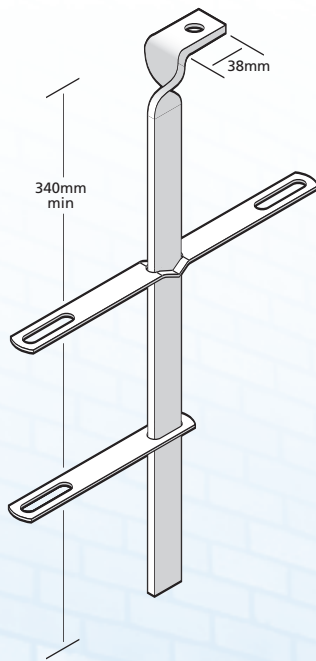
Sliding Anchors

Sliding Anchor Stems

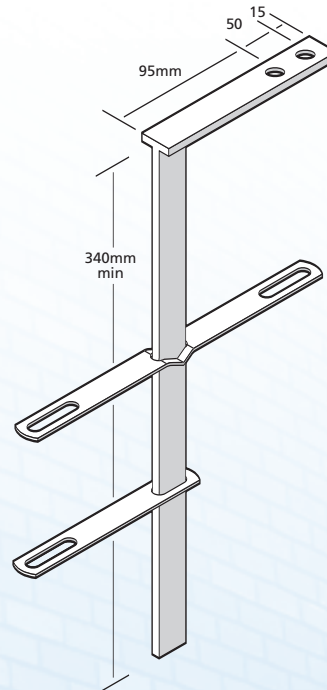
Tec Ties sliding anchors have 25 x 5 mm stems and are designed to fit within the cavity using one way or two way safety ties, that slide to accommodate vertical movement when restraining cavity walls to overhead structures.

They are available with seven different head options complete with 12 mm diameter fixing holes to suit M10 single Expansion or M10 T Head Bolts.

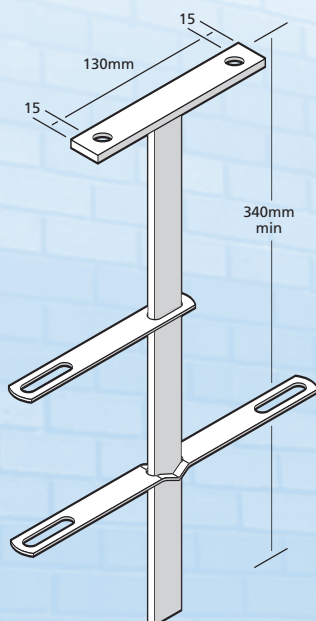
TTSAB



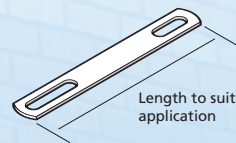
TTSAC



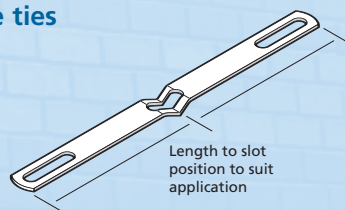
TTSAD



TTST single ties



TTSU double ties



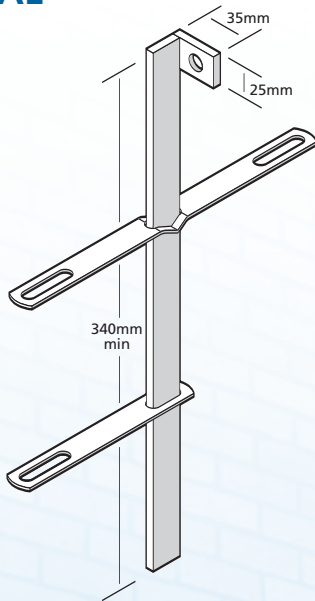
Sliding Anchors

Sliding Anchor Stems

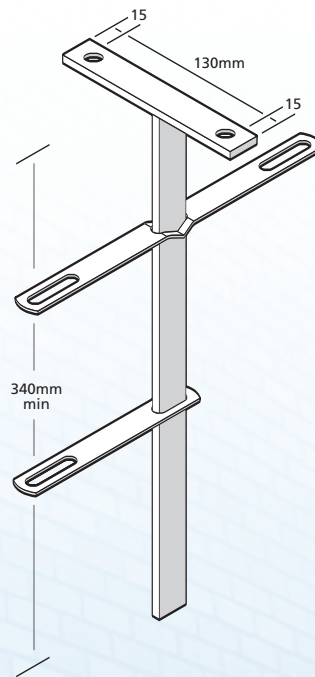
Tec Ties sliding anchors have 25 x 5 mm stems and are designed to fit within the cavity using one way or two way safety ties, that slide to accommodate vertical movement when restraining cavity walls to overhead structures.

They are available with seven different head options complete with 12 mm diameter fixing holes to suit M10 single Expansion or M10 T Head Bolts.

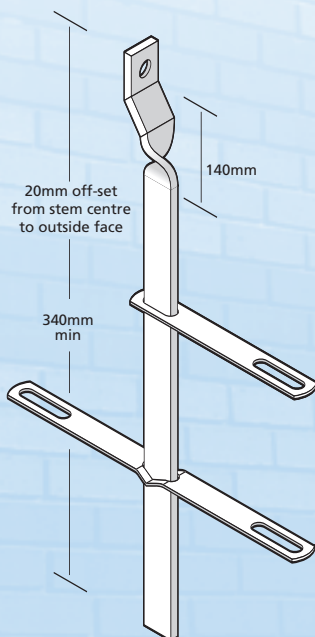
TTSAE



TTSAF



TTSAG



TTSAH

