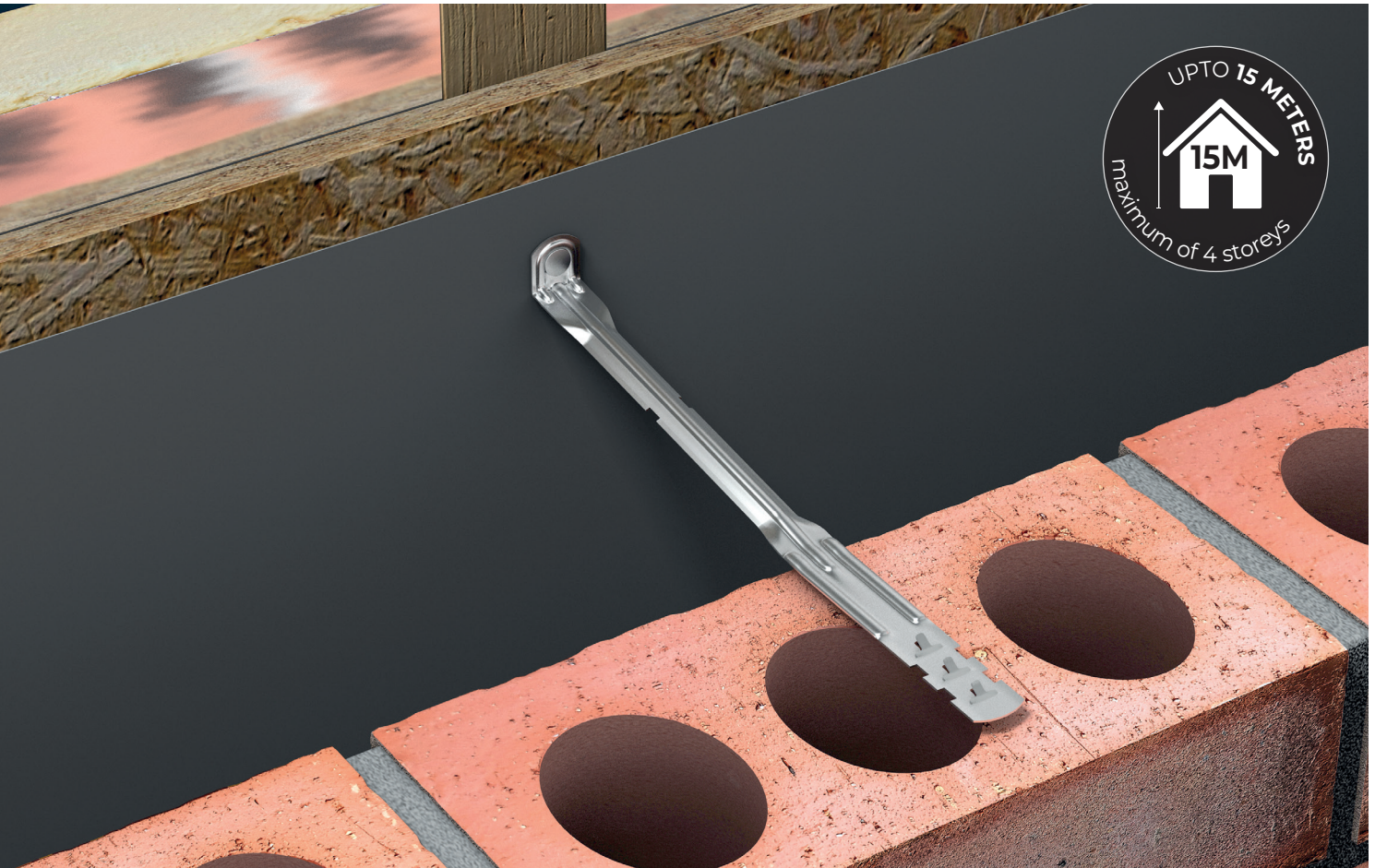


TTTF TIMBER FRAME TIE

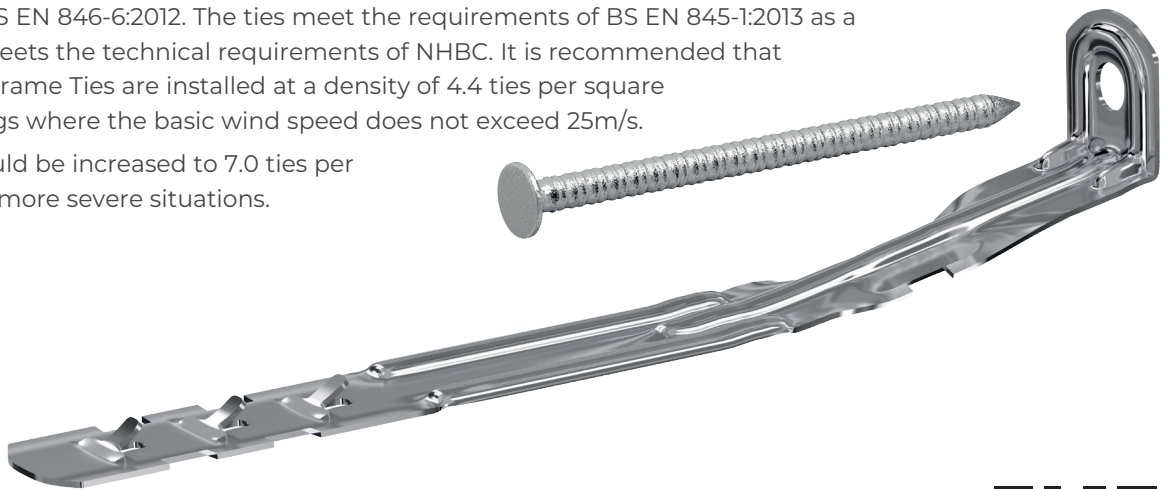
TEC/DD/1005



The TecTies Stainless Steel Timber Frame Wall Ties can fix brickwork or blockwork to the timber frame up to a maximum of 4 storeys and 15m in height.

Fully tested to BS EN 846-6:2012. The ties meet the requirements of BS EN 845-1:2013 as a Type 6 tie and meets the technical requirements of NHBC. It is recommended that TecTies Timber Frame Ties are installed at a density of 4.4 ties per square metre in buildings where the basic wind speed does not exceed 25m/s.

This density should be increased to 7.0 ties per square metre in more severe situations.



Check that you are using the most up to date version of this product information, **scan the QR code.**




TTTF PRODUCT ATTRIBUTES

Product Category	Timber Frame Tie
Product Description	Timber Frame Ties c/w Nails
Product Code	TTTF
Product Brand Name	Timber Frame Tie

	TTTF050	TTTF075	TTTF100	TTTF125	TTTF150
Cavity Width	50mm	75mm	100mm	125mm	150mm
Overall Length	125mm	150mm	175mm	200mm	225mm
Product Finish	Mill Finish	Mill Finish	200mm	Mill Finish	Mill Finish
Material Thickness	15x0.6mm	15x0.6mm	15x0.6mm	15x0.8mm	15x0.8mm
Material	Stainless Steel Grade 304				
Drip Function	Drip Feature				
Packaging Box / Bundle	Box				
Package Qty	250no.				
Tag / Label	White Label	Orange Label	Yellow Label	Green Label	Blue Label
Individual Weight	0.01 KG	0.02 KG	0.03 KG	0.04 KG	0.05 KG
Package Weight	4.25 KG	4.75 KG	5.25 KG	7 KG	8 KG

Annular Ringshank Nail	
Size	50 x 3.35mm
Package Qty	250 per box

Packaging Material 	Cardboard Box Widely Recyclable - Check with your local council guidelines Please visit the Environmental Commitment page here
Storage	Boxes of stainless steel wall ties to be stored indoors, Individual wall ties can be stored outdoors provided they are protected from contamination. Regular checks should be carried out to ensure packaging remains intact, ties remain clean, and there are no signs of corrosion, damage, or foreign material that could affect product quality or performance
Safe Handling	Please visit the Handling Safety Information page here
Fire Rating	Euroclass A1

DECLARATION OF PERFORMANCE

TecTies Ltd hereby declares that Timber Frame Tie TTTF are in conformity with the provisions of **ZA Annex of EN 845—1 : 2013+A1:2016**

Intended Use Asymmetrical and Movement Tolerant Tie designed to connect a masonry outer leaf to a structural timber frame -Type 6	Notified Body Lucideon Limited, Queens Road, Penkhull, Stoke on Trent ST4 7LQ Tel. +44 (0)1782 764428
Suitable for See table below	Notified Body Number 1289 Underwritten by TZUS – Prague Notified Body Number 1020

The system of assessment and verification of constancy of performance for this construction product conforms to **System 3**

TTTF Essential Characteristics

	50mm	75mm	100mm	125mm	150mm
Cavity Width	50mm	75mm	100mm	125mm	150mm
Compressive Load Capacity	560N	690N	580N	870N	870N
Tensile Load Capacity	1349N	1349N	1349N	3440N	3440N
Displacement at 1/3 Load - Compression	0.41mm	0.55mm	0.37mm	0.5mm	0.5mm
Displacement at 1/3 Load - Tensile	0.21mm	0.21mm	0.21mm	0.46mm	0.46mm
Building Heights	Up to 15m. Maximum of 4 storeys.				
Water Shedding Capability	Resistant				
Durability - Material Reference 3	Austenitic Stainless Steel				
Durability - Grade	304 18/8 comp. to BS EN 10088/1				
Embedment Depth	75mm				
Movement Tolerance	24mm max. to accommodate timber shrinkage				
Minimum Mortar Designation	(iv)				
Minimum Mortar Joint Width	10mm				
Conformity Assessment	UKCA/CE+UKNI marked				
Testing	Tests were carried out by Lucideon Limited (UKAB No. 1289) in accordance with BS EN 846-5:2012: Methods of Test for Ancillary Components for Masonry – Part 5: Determination of Tensile and Compressive Load Capacity and Load Displacement Characteristics of Wall Ties (couplet test).				

All tested product information is available on request. Please contact us for more information.

CONSTRUCTION ORDER

- 1 Build the Inner Leaf
- 2 Position the Tie in mortar
[Install Insulation (if applicable)]
- 3 Build the Outer Leaf

Note: do not cut, bend or shape ties.

Images shown are using partial fill insulation.
Ties can also be used with full fill insulation.



To be fixed with the Stainless Steel Annular Ring Shank Nails provided, made from corrosion-resistant (Grade 304) stainless steel.



Installation

TecTies Limited products must be installed in accordance with the relevant product specifications, Declaration of Performance (DOP), and current building regulations to ensure full compliance with performance and safety requirements.

Only competent and trained personnel should carry out installation work. Working in accordance with the current HSE manual handling legislation.

Products must be checked prior to installation to confirm that they are undamaged, of the correct type, and suitable for the intended application. Any damaged or

non-conforming items must not be installed and should be reported immediately to the supplier or site supervisor.

Installation must be carried out using appropriate tools, equipment, and Personal Protective Equipment (PPE). Care should be taken when handling or fitting components with sharp edges or when working at height or in restricted areas.

All products must be installed in line with current building regulations, project specifications, and site safety procedures.

Once installation is complete, the work area should be checked to ensure all fixings are correctly secured, and waste materials are recycled or disposed of safely and responsibly.