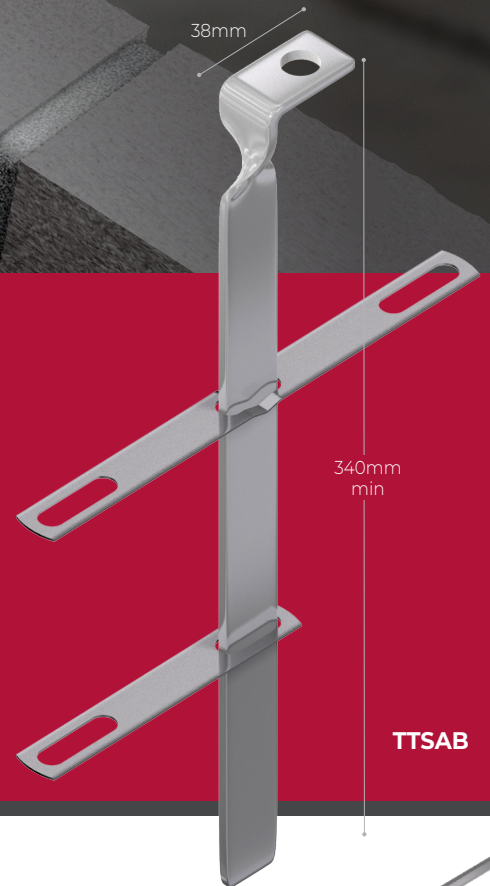


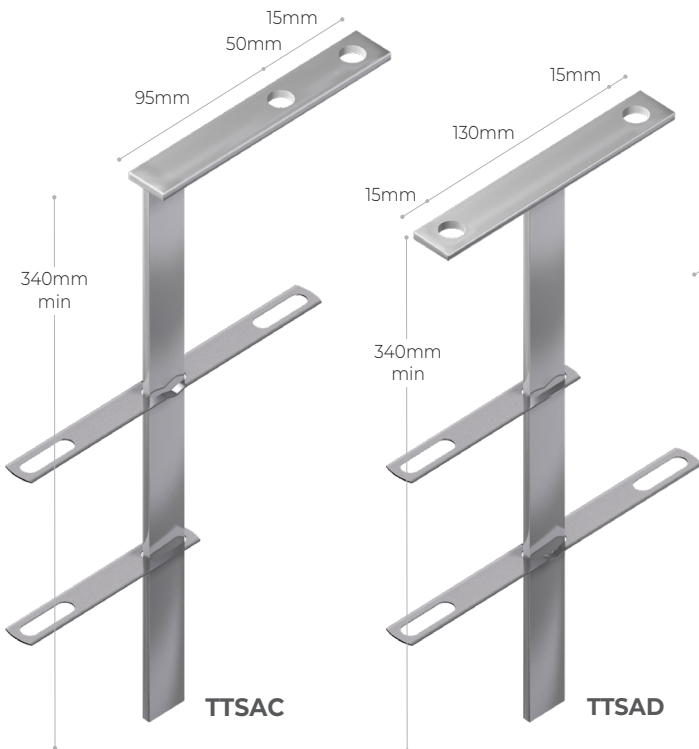
## SLIDING ANCHORS

TecTies sliding anchors have 25 x 5mm stainless steel stems and are designed to fit within the cavity using one way or two way safety ties, that slide to accommodate vertical movement when restraining cavity walls to overhead structures.

They are available with seven different head options complete with 12mm diameter fixing holes to suit M10 single Expansion or M10 T Head Bolts

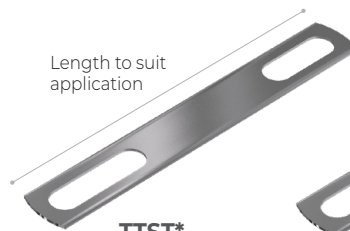


**TTSAB**

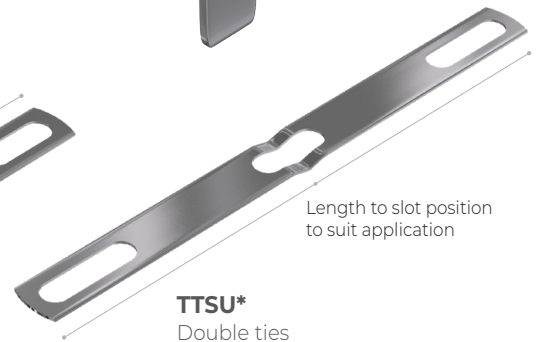


**TTSAC**

**TTSAD**



**TTST\***  
Single ties



**TTSU\***  
Double ties

### \*TTST/TTSU Test Results BS EN 845-1 : 2013 + A1 2016

	Mean Load Capacity	Displacement at 1/3 load
Tension	2510N	0.18mm
Compression	4240N	0.46mm

visit [www.tecties.co.uk](http://www.tecties.co.uk) for more information or call **01663 749361**

TecTies sliding anchors have 25 x 5mm stems and are designed to fit within the cavity using one way or two way safety ties, that slide to accommodate vertical movement when restraining cavity walls to overhead structures.

They are available with seven different head options complete with 12mm diameter fixing holes to suit M10 single Expansion or M10 T Head Bolts

## SLIDING ANCHOR STEMS



visit [www.tecties.co.uk](http://www.tecties.co.uk) for more information or call **01663 749361**

📍 Tecties, Hague Bar Works, Hague Bar, New Mills SK22 3AT  
 📞 T: 01663 749361 F: 01663 747897 🌐 E: sales@tecties.co.uk